

B@NENG

B@NENG
博能科技

浙江博能新能源科技有限公司
ZHEJIANG BONENG NEW ENERGY TECHNOLOGY CO., LTD.

地址: 浙江省慈溪市胜山镇泥牛塘路19号

Add: 19, niniutang, Cixi City, Zhejiang Province, China

电话(Tel): 0574-63522702

邮编(P.C): 315323

http://www.cxboneng.com E-mail: kennyhua@bonengtech.com

博能科技 太阳能接线盒优势品牌
SOLAR JUNCTION BOX ADVANTAGE BRAND

COMPANY INTRODUCTION

企业简介

太阳能接线盒优势品牌 SOLAR JUNCTION BOX ADVANTAGE BRAND

我们是一家专业从事开发、生产太阳能电池组件接线盒和连接器的高新技术企业。在这里，汇集了高端技术精英团队，专业管理团队，精益求精的服务团队。我们拥有先进的生产设备和苛刻严谨的检测操作规程，保证了产品质量的完备控制，全方位完美彰显产品品质。

节能环保 创新领先

Energy、Environmental protection、Innovation、Lead

浙江博能新能源科技有限公司是一家专业从事开发、生产太阳能电池组件接线盒和连接器的高新技术企业。本公司位于经济蓬勃发展的慈溪市胜山镇，紧临329国道，离举世瞩目的杭州湾跨海大桥仅10公里，交通便捷。公司占地面积8,000多平方米，现有员工130多人，日生产成套接线盒能力达到3万套。公司已通过ISO9001:2008质量管理体系认证和ISO14001环境质量体系，并将该体系要求贯穿于产品的设计制造、销售和服务的全过程，树立并提升了企业及产品的品牌形象。目前公司产品覆盖5-320W，已通过ROHS，UL，TUV等最新标准。公司研制开发的几款高品质大功率接线盒，以科学的接触方式，合理的内腔结构，突出了高散热、大功率的性能。结温试验显示，使用同一品牌型号的二极管与同等同类产品相比，额定电流高1A以上，深受业内专家的好评。企业坚持“质量取胜，以诚至上，薄利占市”为原则，本着以人为本，高效优质，服务先导的理念，不断引进先进的管理模式和高新技术人才，围绕ISO9001国际质量体系标准，以质量创品牌，以创新求发展，以规模取效益，竭诚为客户服务。

Zhejiang Boneng New Energy Technology Co.,LTD., is a hi-tech enterprise engaged in the development and production of solar cells components, junction boxes and connectors. The company is located in the south of Hangzhou Bay Bridge, near the commercial central, Shanghai and Ningbo, with convenient traffic.

The company occupies 8,000 M2 with staff over 130. Our daily production capacity for JB is over 30,000 sets.

Our company has passed ISO9001:2008 International Management System Certificate and ISO14001 Environmental Quality System. These standards are ran through our design, production, management and service. We put quality as our first consideration. There are over 10 employees responsible for quality, and we can guarantee our products achieve 100% qualified.

At present we have developed junction box range from 5-320W, which is modern in design, excellent in quality, rich in material, fine in workmanship, durable in use. The products have passed UL, TUV, ROHS.

We're continuously importing advanced detecting instruments and experimental equipments to develop new products. Our marketing concept is reputation first, service without reason and distance. We bring the maximum benefit to you! Let's win together!



PRODUCTION CAPACITY

生产能力



先进的设备是保证优质产品的基础，浙江博能新能源科技有限公司拥有生产基地面积5,000多平方米，日生产成套接线盒能力达到3万套。先后引进国际领先的智能化程度高的先进设备，以确保产品的质量和工艺达到行业领先水平。



Operation Philosophy

Talent and team-oriented,
technology and quality leader,
winning channels and services
Honest and trustworthy,
innovative leadership,
quality first, professional service

经营理念

人才和团队为本，技术和品质领先，渠道和服务制胜
诚实守信，创新领先，品质至上，专业服务

企业宗旨

诚实守信，创新领先，品质至上，专业服务

Company Tenet

Honest and trustworthy,
innovative leadership,
quality first, professional service

Advanced equipment is the foundation to ensure high-quality products. The production base area of Zhejiang Boneng New Energy Technology Co.,Ltd is over 5,000 square meters, and daily production capacity reach 30,000 units. Through introduce world leading high intelligence advanced equipments to ensure the products quality and to achieve industry-leading level.



博能科技 BONENG
TECHNOLOGY



薄膜灌封胶

产品型号(Type Of Product)
PV-BN221

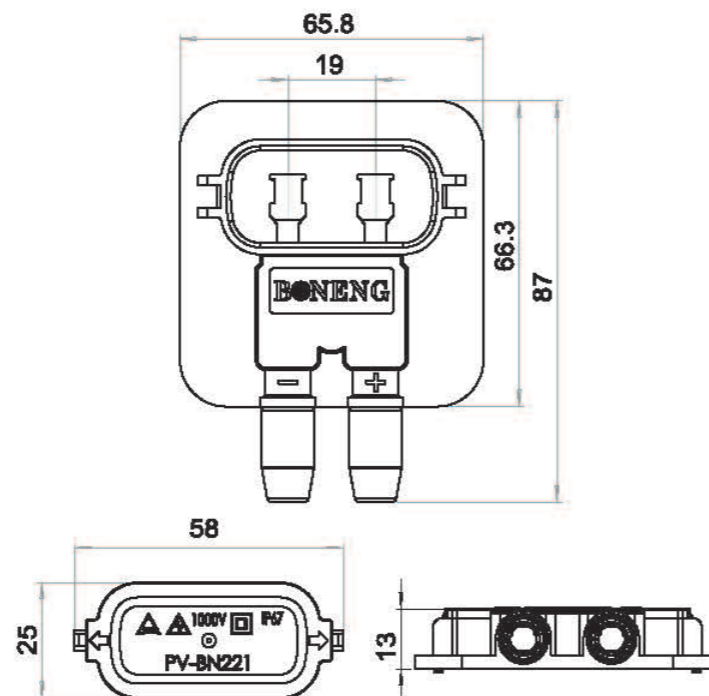
主要技术规格 Main Technical Specification

额定电压 Rated Voltage	1000V
额定电流 Rated Current	4.8A
使用温度 Ambient Temperature	-40℃ - +85℃
安全等级 Safety class	Class II
防护等级 Degree of protection	IP67
阻燃等级 Flame Class	UL94-V0
连接线规格 Rated Connecting Capacity	2.5mm ²

电导线长度可根据客户要求生产
The length of the cable can be produced according to customer's requirements

汇流带连接方式: 焊接式
Busbar connection: Welding

灌胶量: 约5~7克
Glue quantity: About 5~7 g



博能科技 BONENG
TECHNOLOGY



薄膜灌封胶

产品型号(Type Of Product)
PV-BN221B

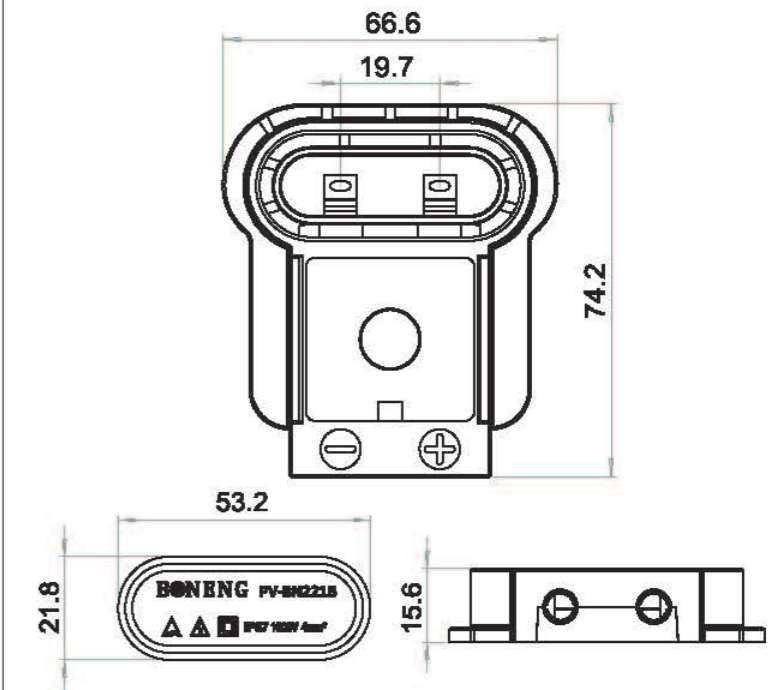
主要技术规格 Main Technical Specification

额定电压 Rated Voltage	1000V
额定电流 Rated Current	10A
使用温度 Ambient Temperature	-40℃ - +85℃
安全等级 Safety class	Class II
防护等级 Degree of protection	IP67
阻燃等级 Flame Class	UL94-V0
连接线规格 Rated Connecting Capacity	4mm ²

电导线长度可根据客户要求生产
The length of the cable can be produced according to customer's requirements

汇流带连接方式: 焊接式
Busbar connection: Welding

灌胶量: 约5~7克
Glue quantity: About 5~7 g



博能科技 BONENG
TECHNOLOGY

薄膜接线盒

产品型号(Type Of Product)

PV-CNBM-18

主要技术规格

Main Technical Specification

额定电压 Rated Voltage	1000V
额定电流 Rated Current	4A
使用温度 Ambient Temperature	-40℃ - +85℃
安全等级 Safety class	Class II
防护等级 Degree of protection	IP67
阻燃等级 Flame Class	UL94-VO
连接线规格 Rated Connecting Capacity	2.5mm ²

电缆线长度可根据客户要求生产

The length of the cable can be produced according to customer's requirements

汇流带连接方式: 卡接式

Busbar connection: Clamping

博能科技 BONENG
TECHNOLOGY

薄膜灌封胶

产品型号(Type Of Product)

PV-BN128

主要技术规格

Main Technical Specification

额定电压 Rated Voltage	1500V
额定电流 Rated Current	4.8A
使用温度 Ambient Temperature	-40℃ - +85℃
安全等级 Safety class	Class II
防护等级 Degree of protection	IP67
阻燃等级 Flame Class	UL94-VO
连接线规格 Rated Connecting Capacity	2.5mm ²

电缆线长度可根据客户要求生产

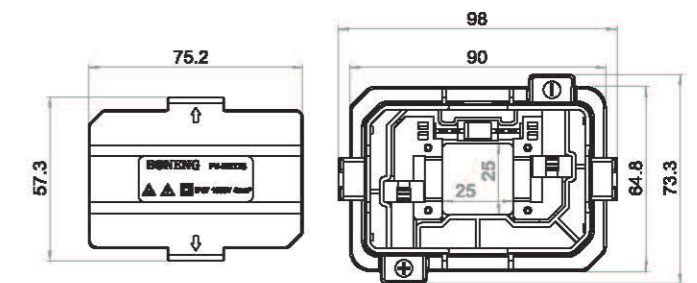
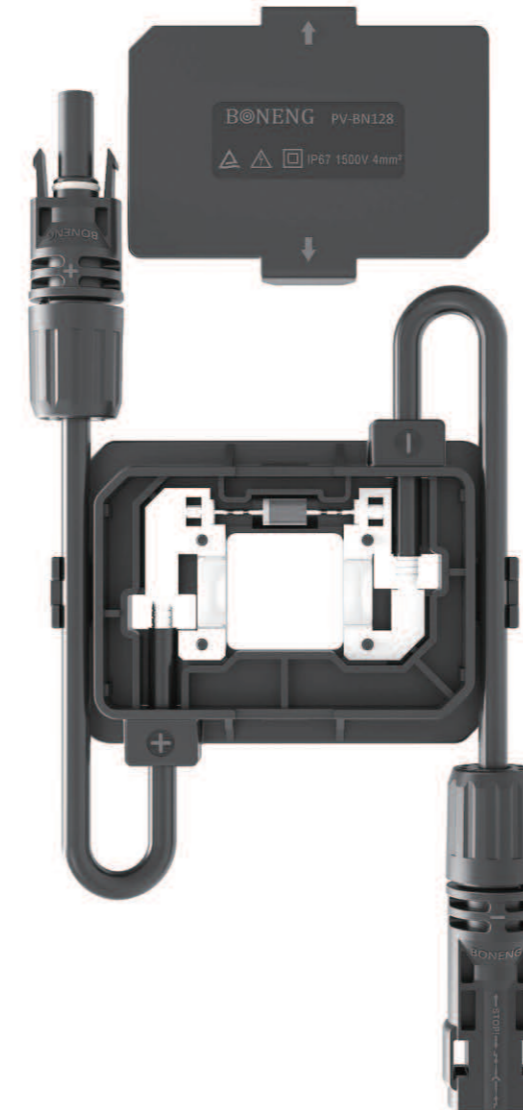
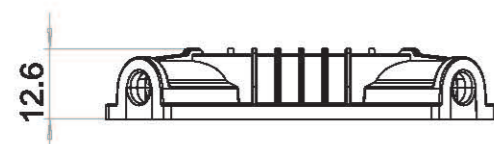
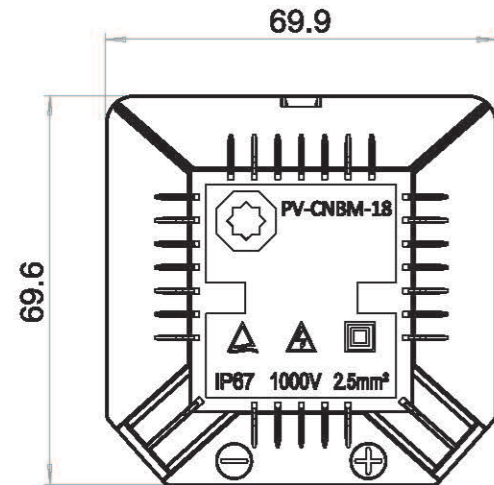
The length of the cable can be produced according to customer's requirements

汇流带连接方式: 焊接式

Busbar connection: Welding

灌胶量: 约25~30克

Glue quantity: About 25~30g



博能科技 **BONENG**
TECHNOLOGY

BIPV灌封胶接线盒

产品型号(Type Of Product)

PV-BN223

主要技术规格

Main Technical Specification

额定电压 Rated Voltage	1000V
额定电流 Rated Current	3A
使用温度 Ambient Temperature	-40℃ - +85℃
安全等级 Safety class	Class II
防护等级 Degree of protection	IP67
阻燃等级 Flame Class	UL94-VO
连接线规格 Rated Connecting Capacity	2.5mm ²

电缆线长度可根据客户要求生产

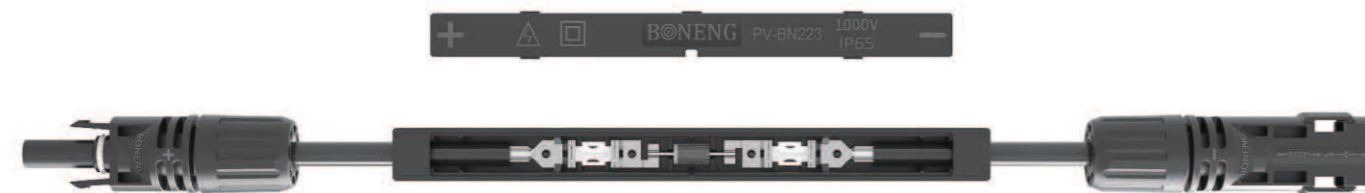
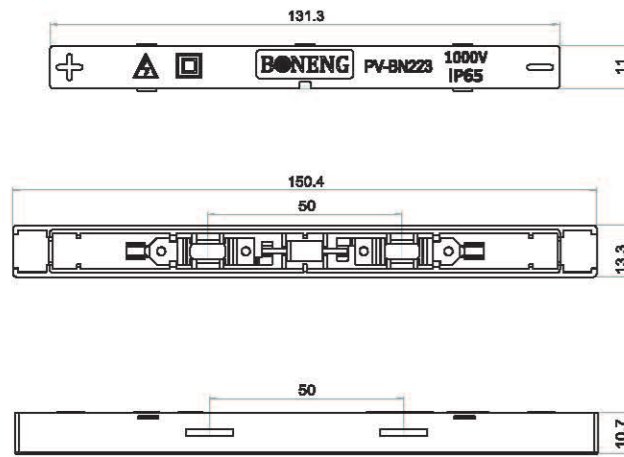
The length of the cable can be produced according to customer's requirements

汇流带连接方式: 焊接式

Busbar connection: Welding

灌胶量: 约7~10克

Glue quantity: About 7~10g



博能科技 **BONENG**
TECHNOLOGY

灌封胶接线盒

产品型号(Type Of Product)

PV-BNI26T

主要技术规格

Main Technical Specification

额定电压 Rated Voltage	1500V
额定电流 Rated Current	14A
使用温度 Ambient Temperature	-40℃ - +85℃
安全等级 Safety class	Class II
防护等级 Degree of protection	IP67
阻燃等级 Flame Class	UL94-VO
连接线规格 Rated Connecting Capacity	4mm ²

电缆线长度可根据客户要求生产

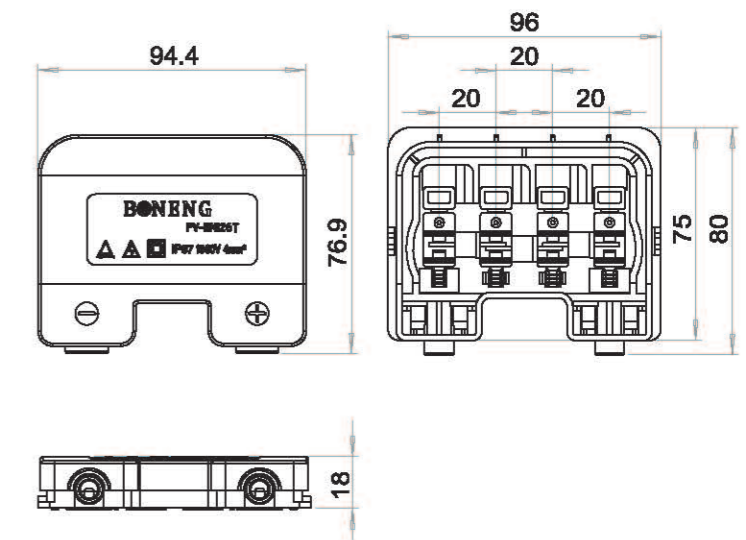
The length of the cable can be produced according to customer's requirements

汇流带连接方式: 焊接式

Busbar connection: Welding

灌胶量: 约25~30克

Glue quantity: About 25~30g





灌封胶接线盒

产品型号(Type Of Product)

PV-BNI26T-1

主要技术规格

Main Technical Specification

额定电压 Rated Voltage	1500V
额定电流 Rated Current	14A
使用温度 Ambient Temperature	-40℃ - +85℃
安全等级 Safety class	Class II
防护等级 Degree of protection	IP67
阻燃等级 Flame Class	UL94-V0
连接线规格 Rated Connecting Capacity	4mm ²

电缆线长度可根据客户要求生产

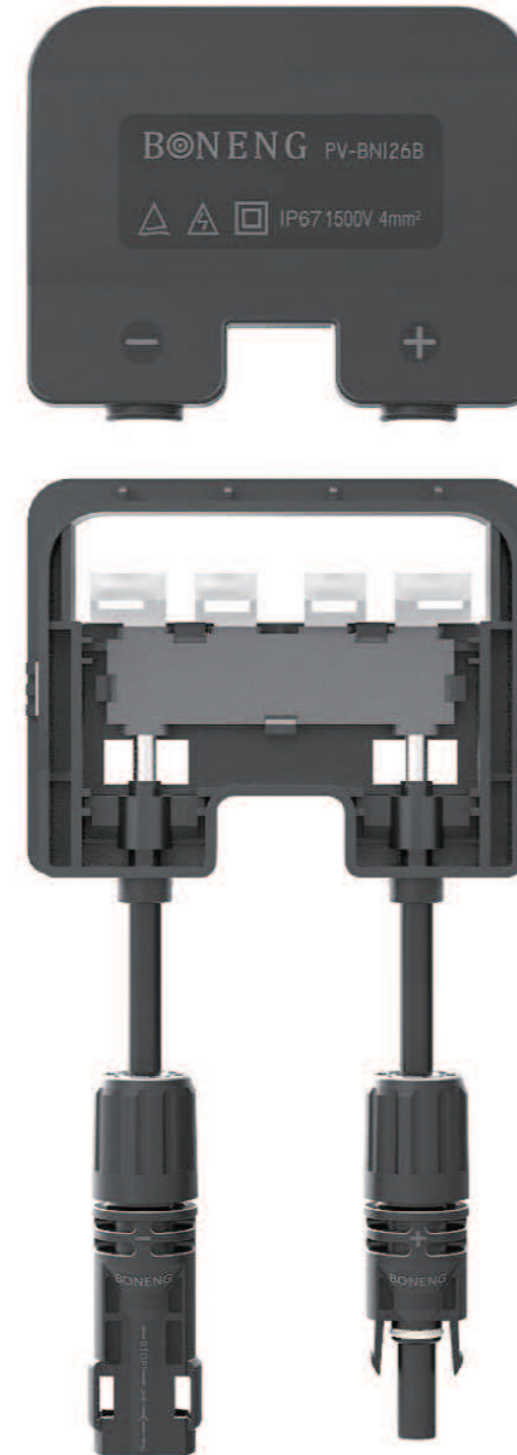
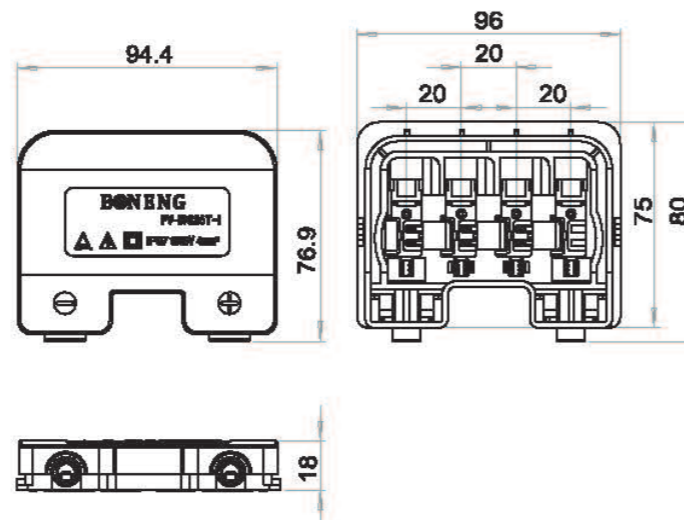
The length of the cable can be produced according to customer's requirements

汇流带连接方式: 焊接式

Busbar connection: Welding

灌胶量: 约25-30克

Glue quantity: About 25-30 g



模块二极管

产品型号(Type Of Product)

PV-BNI26B

主要技术规格

Main Technical Specification

额定电压 Rated Voltage	1500V
额定电流 Rated Current	14A
使用温度 Ambient Temperature	-40℃ - +85℃
安全等级 Safety class	Class II
防护等级 Degree of protection	IP67
阻燃等级 Flame Class	UL94-V0
连接线规格 Rated Connecting Capacity	4mm ²

电缆线长度可根据客户要求生产

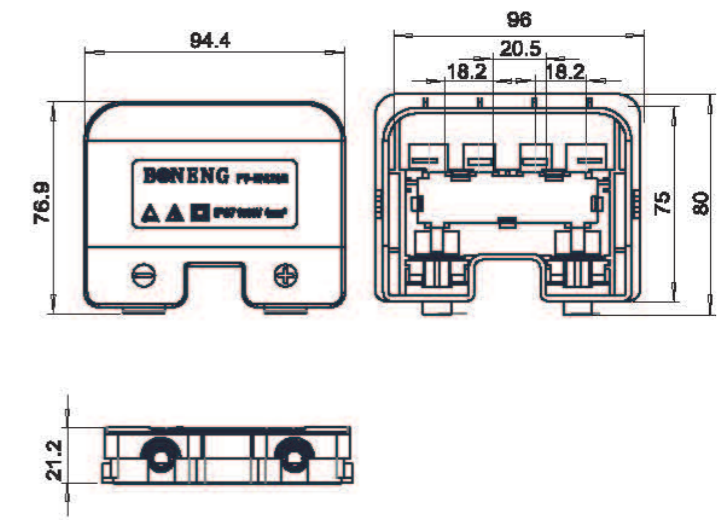
The length of the cable can be produced according to customer's requirements

汇流带连接方式: 焊接式

Busbar connection: Welding

灌胶量: 约25-30克

Glue quantity: About 25-30 g



博能科技 **BONENG**
TECHNOLOGY

产品型号(Type Of Product)

PV-BN082TA-1

主要技术规格

Main Technical Specification

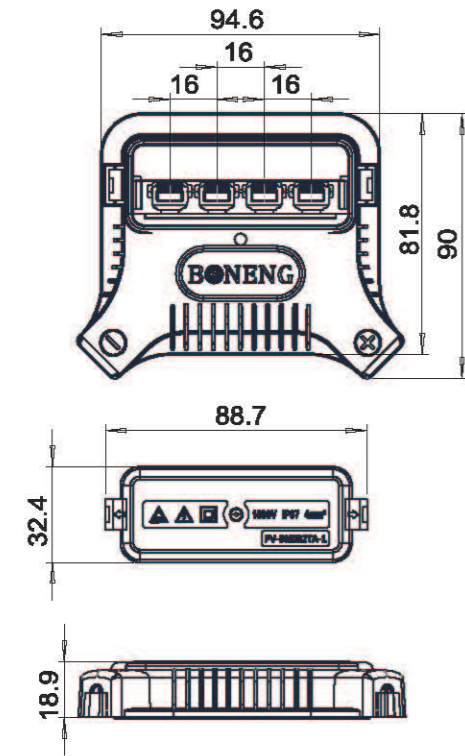
额定电压 Rated Voltage	1500V
额定电流 Rated Current	15A
使用温度 Ambient Temperature	-40℃ - +85℃
安全等级 Safety class	Class II
防护等级 Degree of protection	IP67
阻燃等级 Flame Class	UL94-VO
连接线规格 Rated Connecting Capacity	4mm ²

电缆线长度可根据客户要求生产

The length of the cable can be produced according to customer's requirements

汇流带连接方式: 卡接式

Busbar connection: Clamping



博能科技 **BONENG**
TECHNOLOGY

产品型号(Type Of Product)

PV-BN082TA-2

主要技术规格

Main Technical Specification

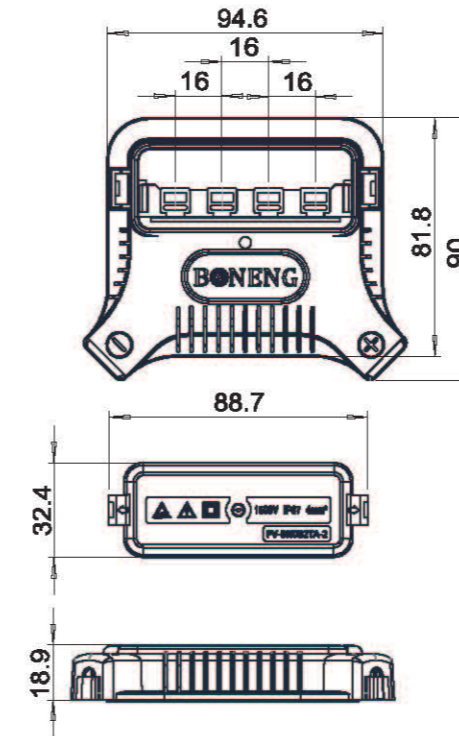
额定电压 Rated Voltage	1500V
额定电流 Rated Current	15A
使用温度 Ambient Temperature	-40℃ - +85℃
安全等级 Safety class	Class II
防护等级 Degree of protection	IP67
阻燃等级 Flame Class	UL94-VO
连接线规格 Rated Connecting Capacity	4mm ²

电缆线长度可根据客户要求生产

The length of the cable can be produced according to customer's requirements

汇流带连接方式: 焊接式

Busbar connection: Welding



博能科技 **BONENG**
TECHNOLOGY

灌封胶接线盒

产品型号(Type Of Product)

PV-BN082TA-3

主要技术规格

Main Technical Specification

额定电压 Rated Voltage	1500V
额定电流 Rated Current	15A
使用温度 Ambient Temperature	-40℃ - +85℃
安全等级 Safety class	Class II
防护等级 Degree of protection	IP67
阻燃等级 Flame Class	UL94-VO
连接线规格 Rated Connecting Capacity	4mm ²

电缆线长度可根据客户要求生产

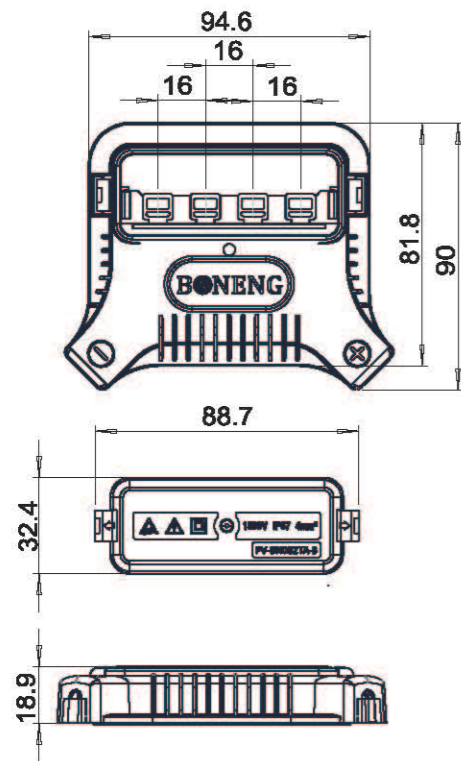
The length of the cable can be produced according to customer's requirements

汇流带连接方式: 焊接式

Busbar connection: Welding

灌胶量: 约15~20克

Glue quantity: About 15~20 g



博能科技 **BONENG**
TECHNOLOGY

产品型号(Type Of Product)

PV-BN023

主要技术规格

Main Technical Specification

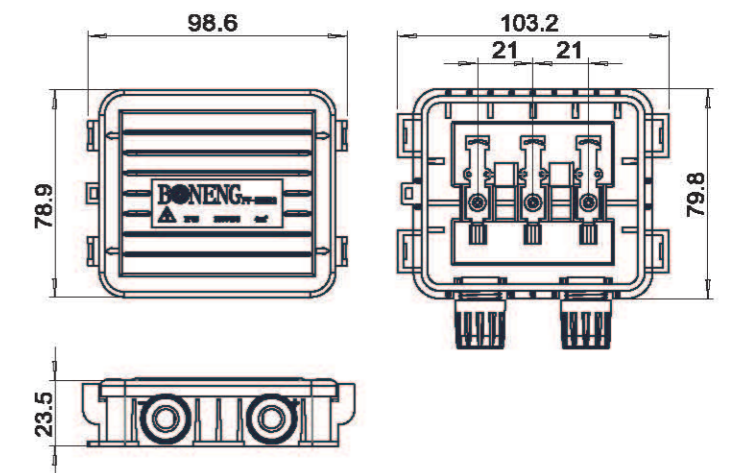
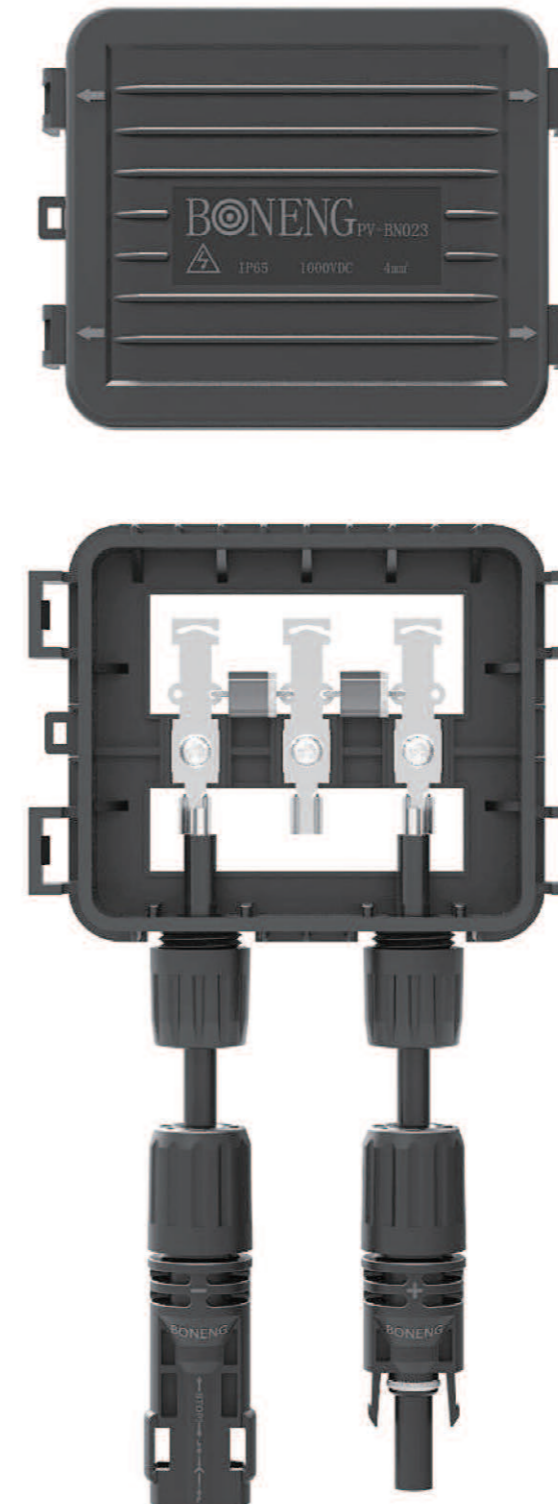
额定电压 Rated Voltage	1000V
额定电流 Rated Current	12A
使用温度 Ambient Temperature	-40℃ - +85℃
安全等级 Safety class	Class II
防护等级 Degree of protection	IP67
阻燃等级 Flame Class	UL94-VO
连接线规格 Rated Connecting Capacity	2.5mm ² , 4mm ²

电缆线长度可根据客户要求生产

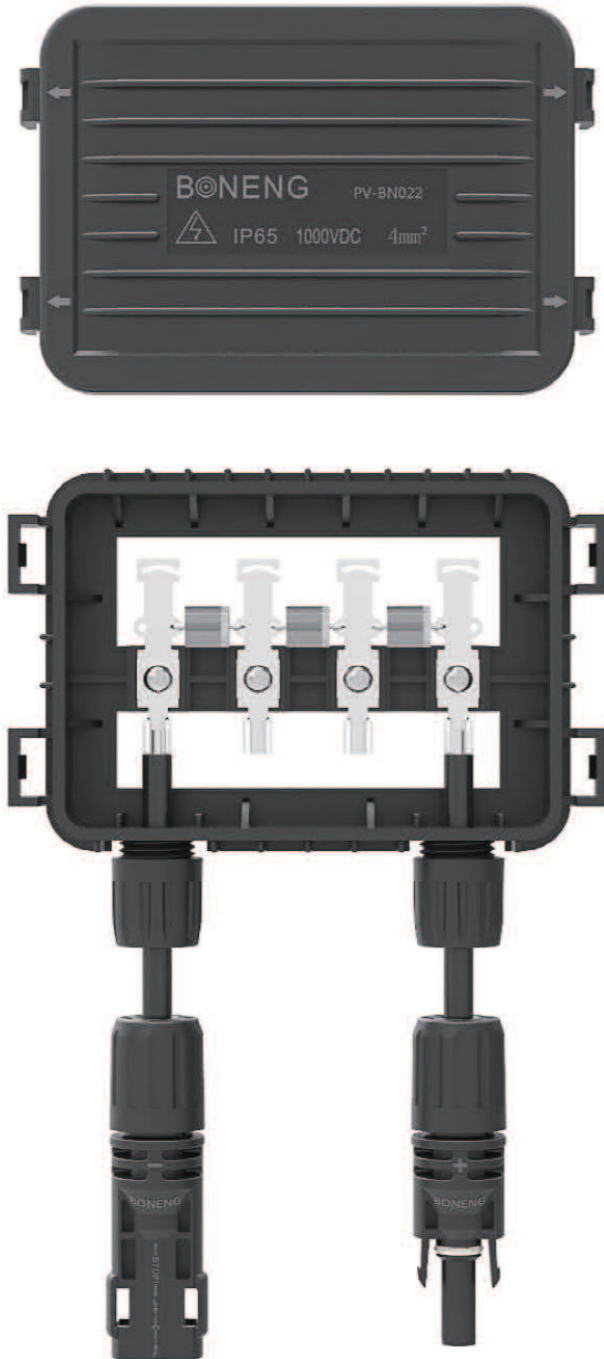
The length of the cable can be produced according to customer's requirements

汇流带连接方式: 焊接式

Busbar connection: Welding



博能科技 BONENG TECHNOLOGY



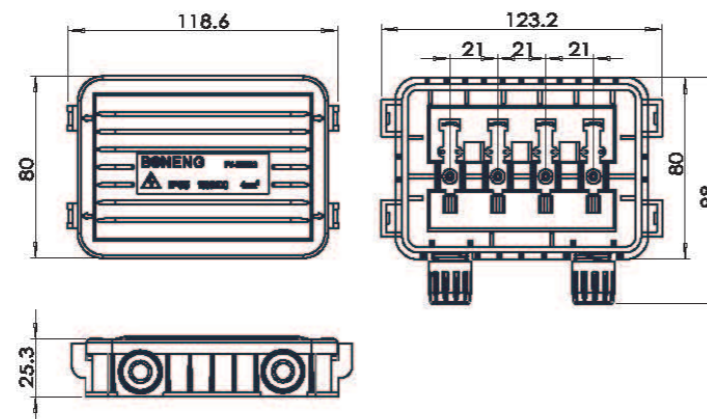
产品型号(Type Of Product)
PV-BN022

主要技术规格
Main Technical Specification

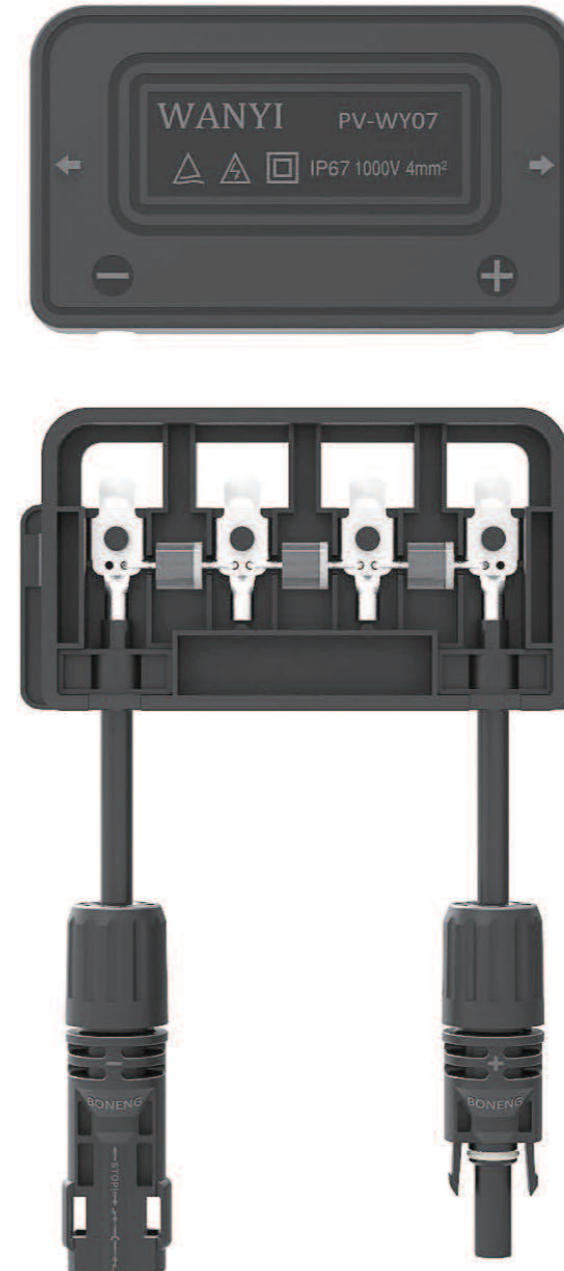
额定电压 Rated Voltage	1000V
额定电流 Rated Current	12A
使用温度 Ambient Temperature	-40℃ - +85℃
安全等级 Safety class	Class II
防护等级 Degree of protection	IP67
阻燃等级 Flame Class	UL94-VO
连接线规格 Rated Connecting Capacity	2.5mm ² 、4mm ²

电缆线长度可根据客户要求生产
The length of the cable can be produced according to customer's requirements

汇流带连接方式：焊接式
Busbar connection: Welding



博能科技 BONENG TECHNOLOGY



灌封胶接线盒

产品型号(Type Of Product)
PV-WY07

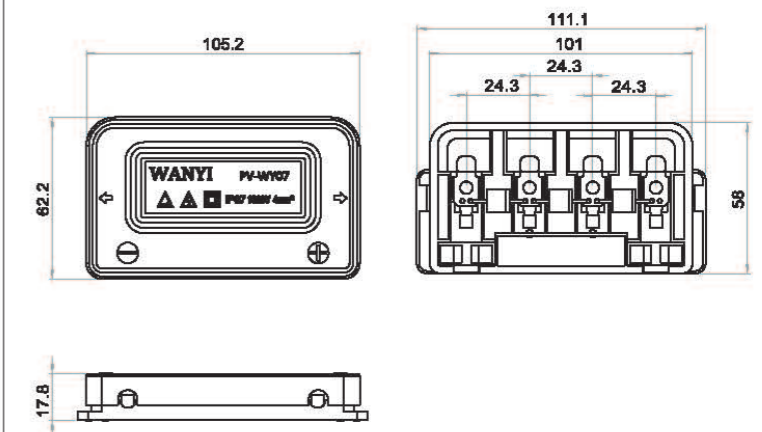
主要技术规格
Main Technical Specification

额定电压 Rated Voltage	1000V
额定电流 Rated Current	14A
使用温度 Ambient Temperature	-40℃ - +85℃
安全等级 Safety class	Class II
防护等级 Degree of protection	IP67
阻燃等级 Flame Class	UL94-VO
连接线规格 Rated Connecting Capacity	4mm ²

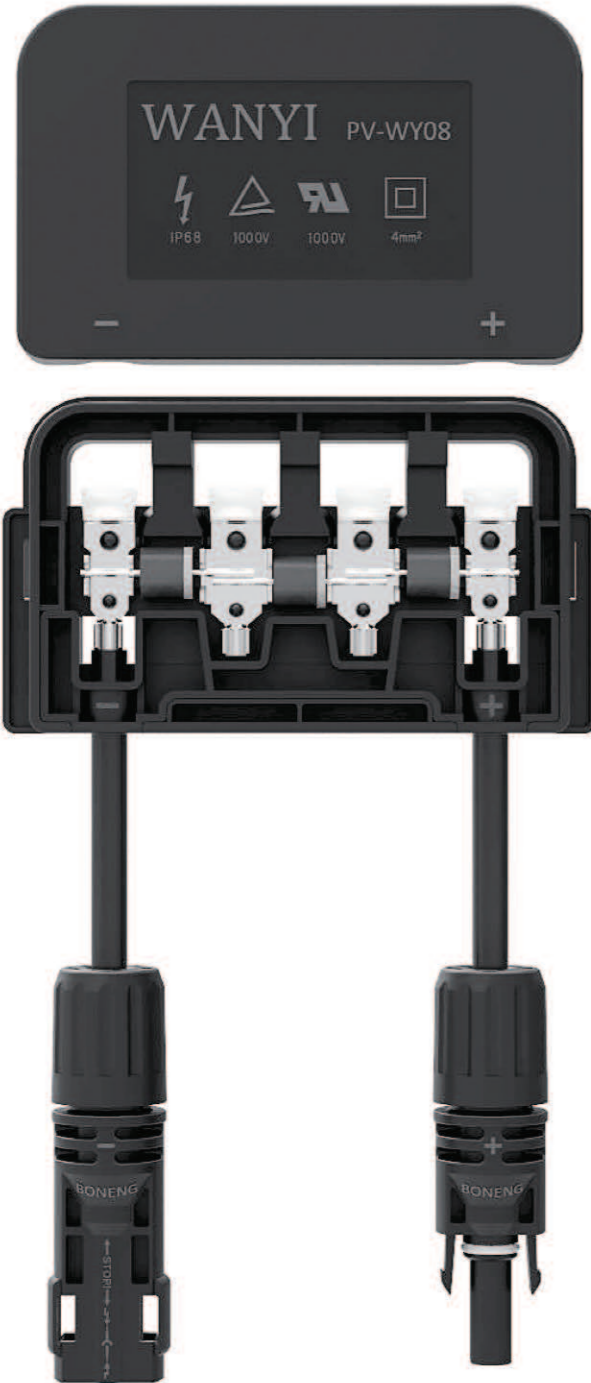
电缆线长度可根据客户要求生产
The length of the cable can be produced according to customer's requirements

汇流带连接方式：焊接式
Busbar connection: Welding

灌胶量：约25~30克
Glue quantity: About 25~30 g



博能科技 BONENG
TECHNOLOGY



灌封胶接线盒

产品型号(Type Of Product)

PV-WY08

主要技术规格

Main Technical Specification

额定电压 Rated Voltage	1000V
额定电流 Rated Current	15A
使用温度 Ambient Temperature	-40℃ - +85℃
安全等级 Safety class	Class II
防护等级 Degree of protection	IP67
阻燃等级 Flame Class	UL94-VO
连接线规格 Rated Connecting Capacity	4mm ²

电缆线长度可根据客户要求生产

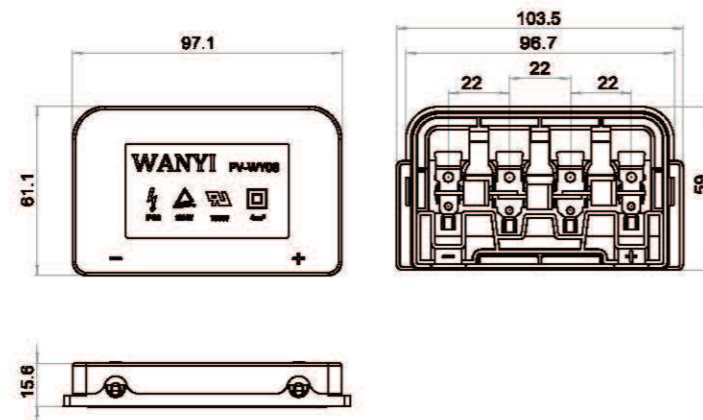
The length of the cable can be produced according to customer's requirements

汇流带连接方式: 焊接式

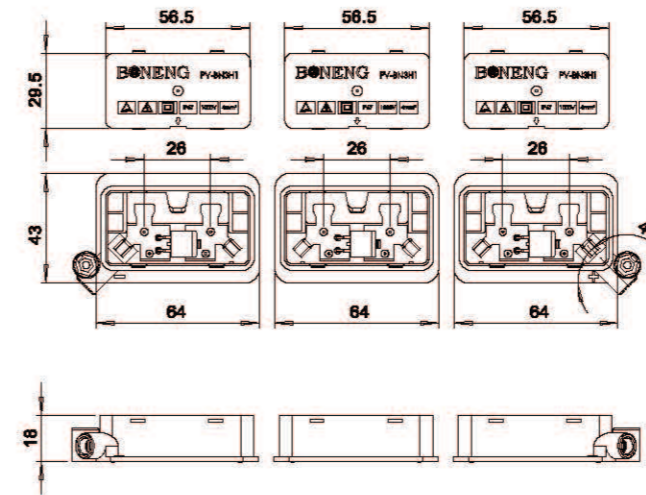
Busbar connection: Welding

灌胶量: 约20~25克

Glue quantity: About 20~25 g



博能科技 BONENG
TECHNOLOGY



灌封胶

产品型号(Type Of Product)

PV-BN3HI

主要技术规格

Main Technical Specification

额定电压 Rated Voltage	1000V
额定电流 Rated Current	12.5A
使用温度 Ambient Temperature	-40℃ - +85℃
安全等级 Safety class	Class II
防护等级 Degree of protection	IP67
阻燃等级 Flame Class	UL94-VO
连接线规格 Rated Connecting Capacity	4mm ²

电缆线长度可根据客户要求生产

The length of the cable can be produced according to customer's requirements

汇流带连接方式: 焊接式

Busbar connection: Welding

灌胶量: 约8*3=24克

Glue quantity: About 8*3=24 g

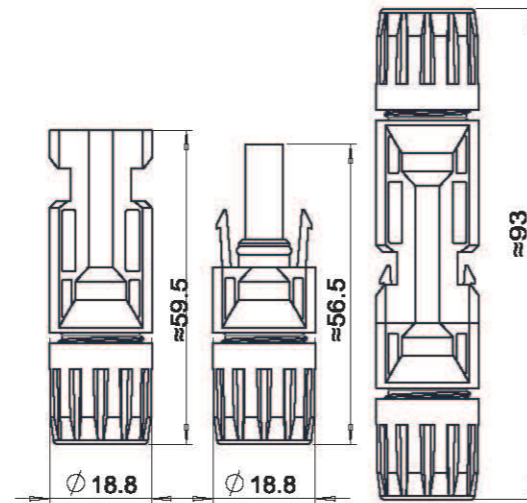


产品型号(Type Of Product)
PV-BN101

主要技术规格
Main Technical Specification

额定电压 Rated Voltage	1000V
额定电流 Rated Current	30A
使用温度 Ambient Temperature	-40°C - +85°C
安全等级 Safety class	Class II
防护等级 Degree of protection	IP67
阻燃等级 Flame Class	UL94-VO
连接线规格 Rated Connecting Capacity	2.5mm ² 、4mm ² 、6mm ²

PV-BN101与MC4连接器互配
PV-BN101 is compatible with MC4

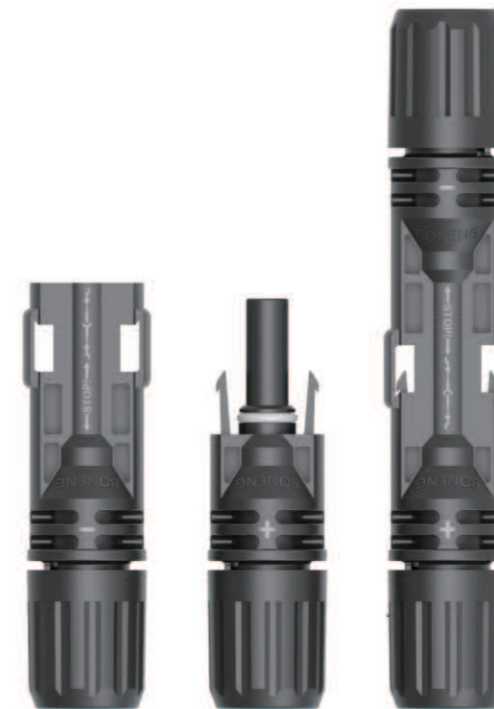
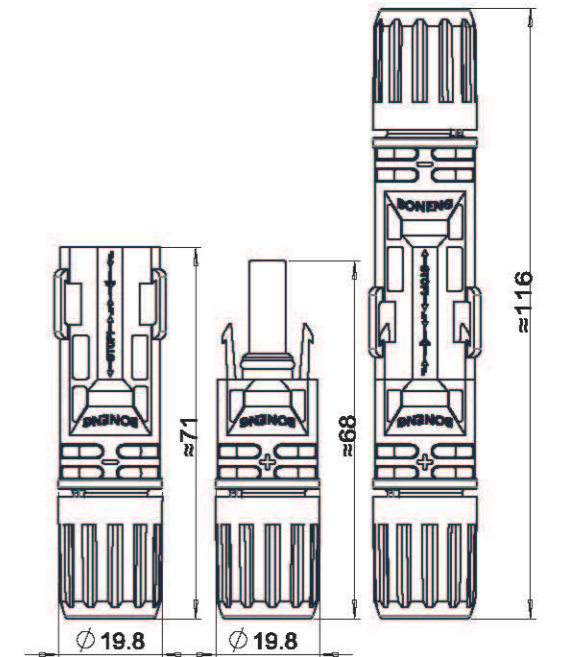


产品型号(Type Of Product)
PV-BN101B

主要技术规格
Main Technical Specification

额定电压 Rated Voltage	1500V
额定电流 Rated Current	30A
使用温度 Ambient Temperature	-40°C - +85°C
安全等级 Safety class	Class II
防护等级 Degree of protection	IP67
阻燃等级 Flame Class	UL94-VO
连接线规格 Rated Connecting Capacity	2.5mm ² 、4mm ² 、6mm ²

PV-BN101与MC4连接器互配
PV-BN101 is compatible with MC4

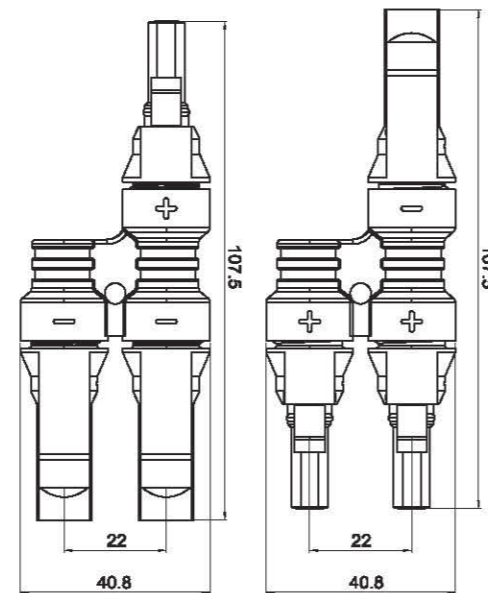


产品型号(Type Of Product)
PV-BN103

主要技术规格
Main Technical Specification

额定电压 Rated Voltage	1500V
额定电流 Rated Current	30A
使用温度 Ambient Temperature	-40℃ - +85℃
安全等级 Safety class	Class II
防护等级 Degree of protection	IP67
阻燃等级 Flame Class	UL94-VO

PV-BN101与MC4连接器互配
PV-BN101 is compatible with MC4

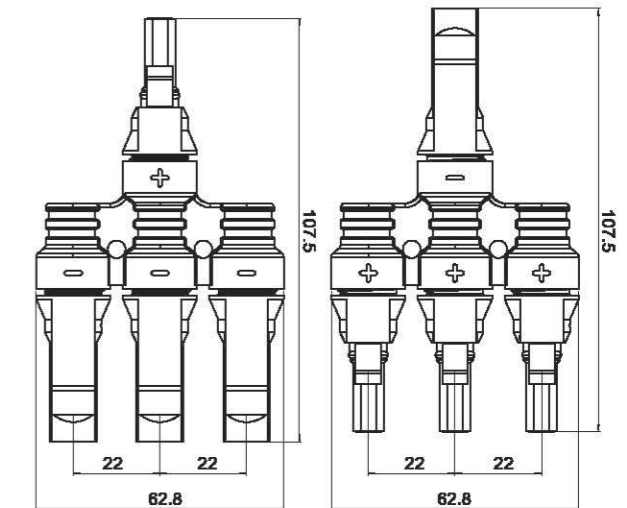


产品型号(Type Of Product)
PV-BN104

主要技术规格
Main Technical Specification

额定电压 Rated Voltage	1500V
额定电流 Rated Current	30A
使用温度 Ambient Temperature	-40℃ - +85℃
安全等级 Safety class	Class II
防护等级 Degree of protection	IP67
阻燃等级 Flame Class	UL94-VO

PV-BN101与MC4连接器互配
PV-BN101 is compatible with MC4





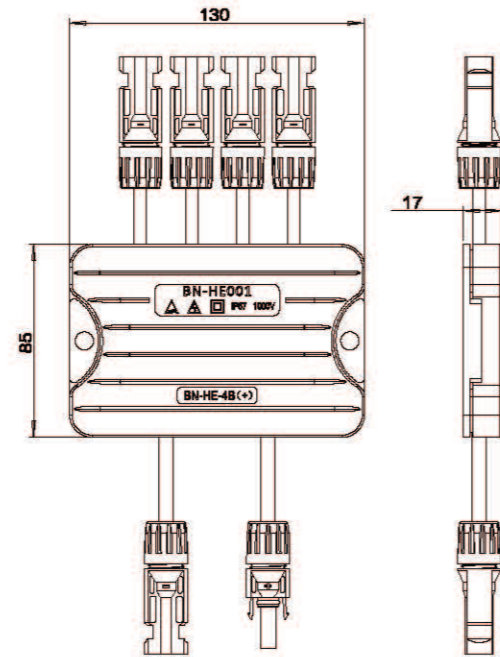
薄膜组件汇流盒

产品型号(Type Of Product)
BN-HE001

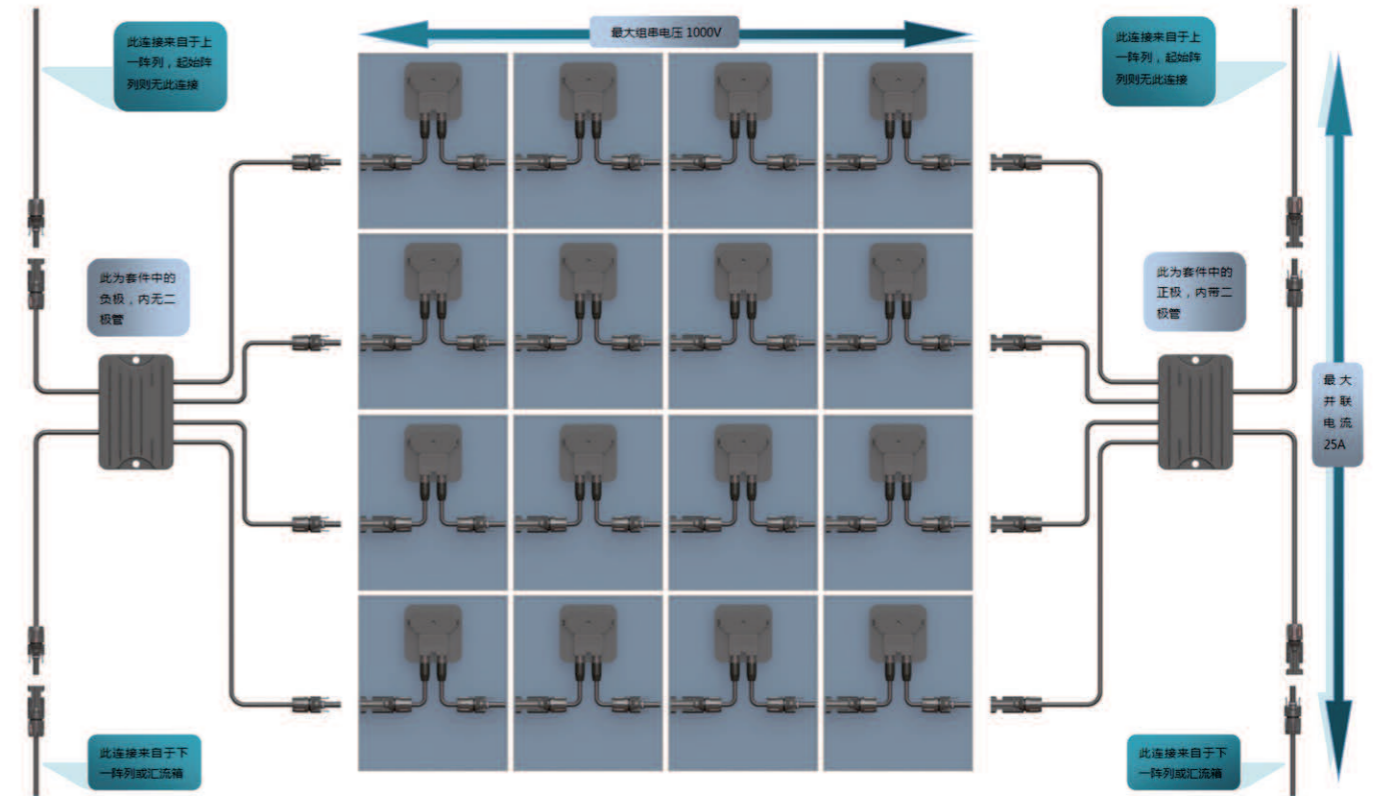
主要技术规格 Main Technical Specification

额定电压 Rated Voltage	1000V
额定电流 Rated Current	6A
使用温度 Ambient Temperature	-40°C ~ +85°C
安全等级 Safety class	Class II
防护等级 Degree of protection	IP67
阻燃等级 Flame Class	UL94-V0
连接线规格 Rated Connecting Capacity	2.5mm ² 、4mm ²

电线的长度可根据客户要求生产
The length of the cable can be produced according to customer's requirements



户用薄膜系统汇流盒4B接线示例



汇流盒全型号图示

