

KSTRONG EXTREME CONFINED SPACE DAVIT SYSTEMS



CE 0598



II 2G
Ex h IIc T6 Gb
EN 80079-36:2016
EN 80079-37:2016



KStrong Extreme Davit systems have been designed for confined space entry / retrieval applications. Its modular interchangeable design allows the system to be mounted on multiple bases for all applications. It is ideal for providing portable, safe overhead anchorage in large confined areas like manholes, storage tanks etc.

FEATURES

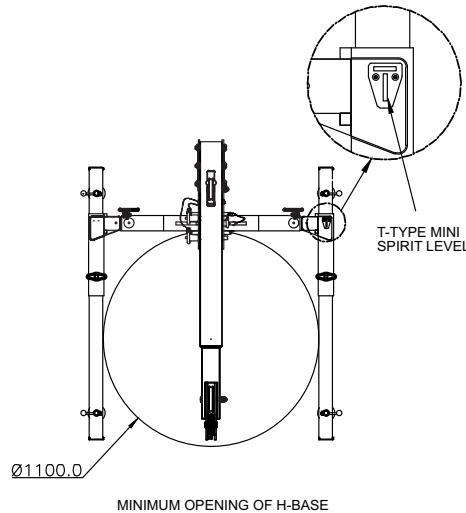
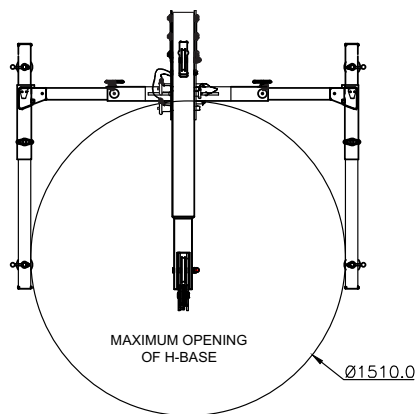
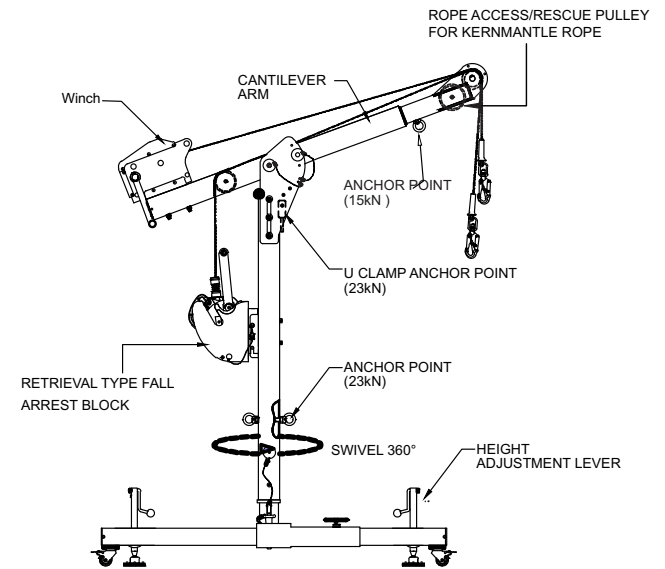
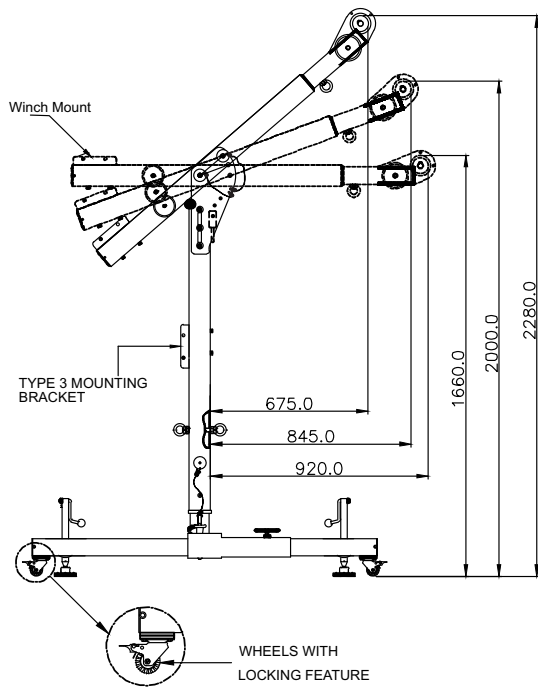
- The Extreme H-Base Davit breaks down into five components for easy storage, transport and set-up. No tools are required for assembly.
- The modular design allows the use of various fixed and portable bases and an optional mast with extensions.
- Cantilever arm comes with 3 adjustment positions for the user to adjust the height as per the requirement.
- An ideal choice to provide overhead anchorages in large holes of confined space.
- Removable legs for easy transportation and installation purpose.
- Anchorage points for rescue applications.
- Foldable legs for easy transportation and installation purpose.
- Multi anchorage point for rescue purpose.
- Inbuilt swivel feature, Davit column assembly can be rotated upto 360° by removing the locking.




Height Adjustment And Reach

Product Code	Picture	Bracket used for Mounting
Winch Bracket AFT710007UW		Winch AFT730020, AFT730040
Retrieval Bracket AFT710007UR		Retrieval Blocks AFS510020R, AFS510030R

Product Code	Upper	Middle	Lower
Distance from column	0.675mtrs	0.845mtrs	0.920mtrs
height of arm	2.280mtrs	2.000mtrs	1.660mtrs



TECHNICAL SNAPSHOT



Material	High Strength and Durable Aluminium Alloy
Min. & Max. Opening of H Base	Ø1100 mm - Ø 1510 mm
Maximum Load Capacity	500 kgs
Finish	ED Coated
System Strength	15kN
Certification	EN795:2012 Type B, AS/NZS 5532:2013 &  II 2G Ex h IIC T6 Gb
Weight	62.56kgs ± 0.10kgs

FEATURES

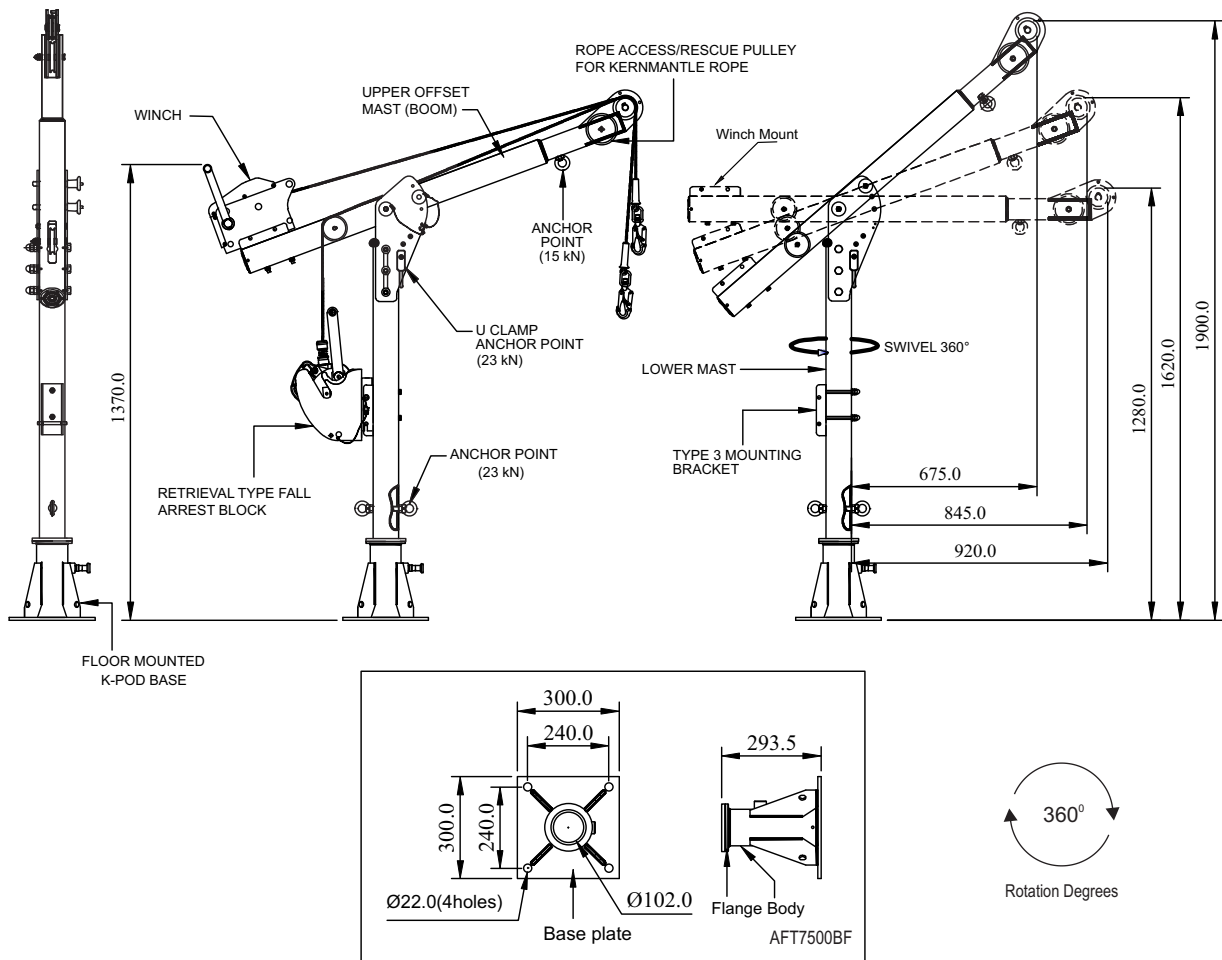
- The Extreme Floor Mounted Davit breaks down into Two components for easy storage, transport and set-up. No tools are required for assembly.
- The modular design allows the use of various fixed and portable bases and an optional mast with extensions.
- Cantilever arm comes with 3 adjustment positions for the user to adjust the height as per the requirement.
- An ideal choice to provide overhead anchorages in large holes of confined space.
- Multi anchorage points for rescue applications.
- Inbuilt swivel feature, Davit column assembly can be rotated upto 360° by removing the locking pins provided to lock column.
- Floor Mount Bases are designed to be mounted to concrete or steel structure.
- Base Installation must be approved to local regulations by a qualified engineer.



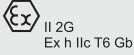
Height Adjustment And Reach

Product Code	Picture	Bracket used for Mounting
Winch Bracket AFT710007UW		Winch AFT730020, AFT730040
Retrieval Bracket AFT710007UR		Retrieval Blocks AFS510020R, AFS510030R

Product Code	Upper	Middle	Lower
Distance from column	0.675mtrs	0.845mtrs	0.920mtrs
Height of arm	1.900mtrs	1.620mtrs	1.280mtrs



TECHNICAL SNAPSHOT



Material	High Strength and Durable Aluminium Alloy
Maximum Load Capacity	500 kgs
Finish	ED Coated
System Strength	15kN
Certification	EN 795:2012 Type A , AS/NZS 5532:2013 & 
Weight	44.49 kgs ± 0.10kgs Floor mount Base: 9.38kgs ± 0.10kgs

FEATURES

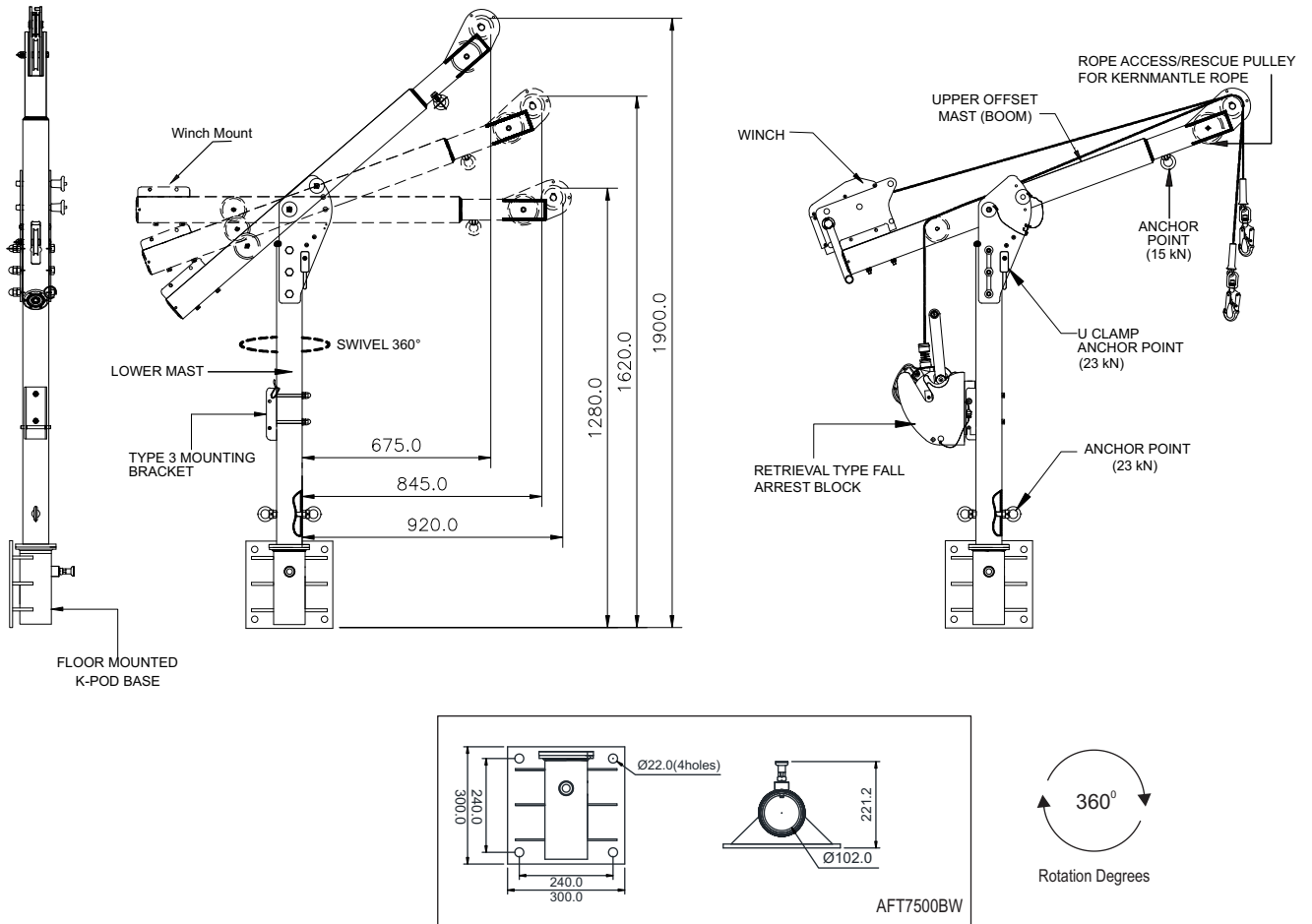
- The Extreme H-Base Davit breaks down into two components for easy storage, transport and setup.
- No tools are required for assembly.
- The modular design allows the use of various fixed and portable bases and an optional mast with extensions.
- Cantilever arm comes with 3 adjustment positions for the user to adjust the height as per the requirement.
- An ideal choice to provide overhead anchorages in large holes of confined space.
- Multi anchorage point for rescue applications.
- Inbuilt swivel feature, Davit column assembly can be rotated upto 360° by removing the locking pins provided to lock column.
- Wall Mount Bases are designed to be mounted to concrete or steel structure.
- Base Installation must be approved to local regulations by a qualified engineer.



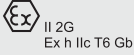
Height Adjustment And Reach

Product Code	Picture	Bracket used for Mounting
Winch Bracket AFT710007UW		Winch AFT730020, AFT730040
Retrieval Bracket AFT710007UR		Retrieval Blocks AFS510020R, AFS510030R

Product Code	Upper	Middle	Lower
Distance from column	0.675mtrs	0.845mtrs	0.920mtrs
Height of arm	1.900mtrs	1.620mtrs	1.280mtrs



TECHNICAL SNAPSHOT

Material	High Strength and Durable Aluminium Alloy
Maximum Load Capacity	500 kgs
Finish	ED Coated
System Strength	15kN
Certification	EN 795:2012 Type A , AS/NZS 5532:2013 & 
Weight	44.49kgs ± 0.10kgs Floor mount Base: 9.38kg ± 0.10kgs

ACCESSORIES OF EXTREME DAVIT



AFS510020R



AFT730120



AFT730020



Wall Mounting Bracket
(AFT7500BW)



Floor Mounting Bracket
(AFT7500BF)