

1. Description:

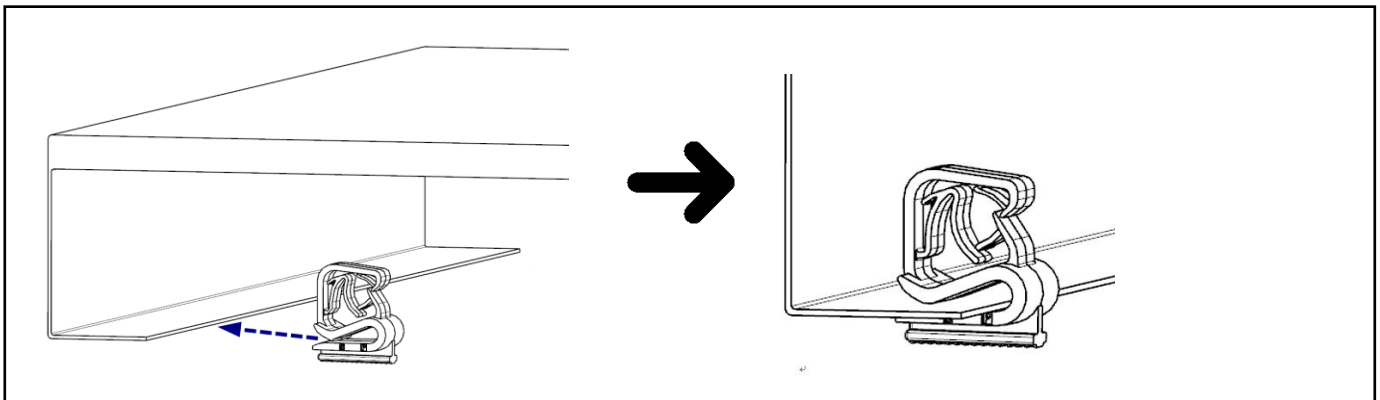
This universal edge clip provide 1 to 2 PV(Photovoltaic) cables routing/management for solar farm or general cabling applications.

2. Notice:

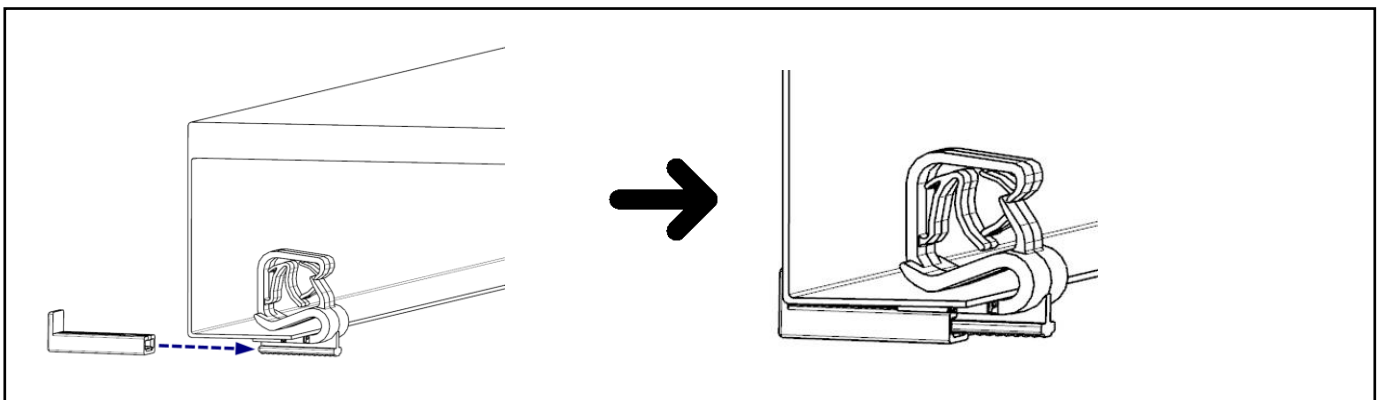
Latch releasing will have a chance to damage the components, please be careful. Don't reuse when it's damaged.

3. Installation Method I (recommended):

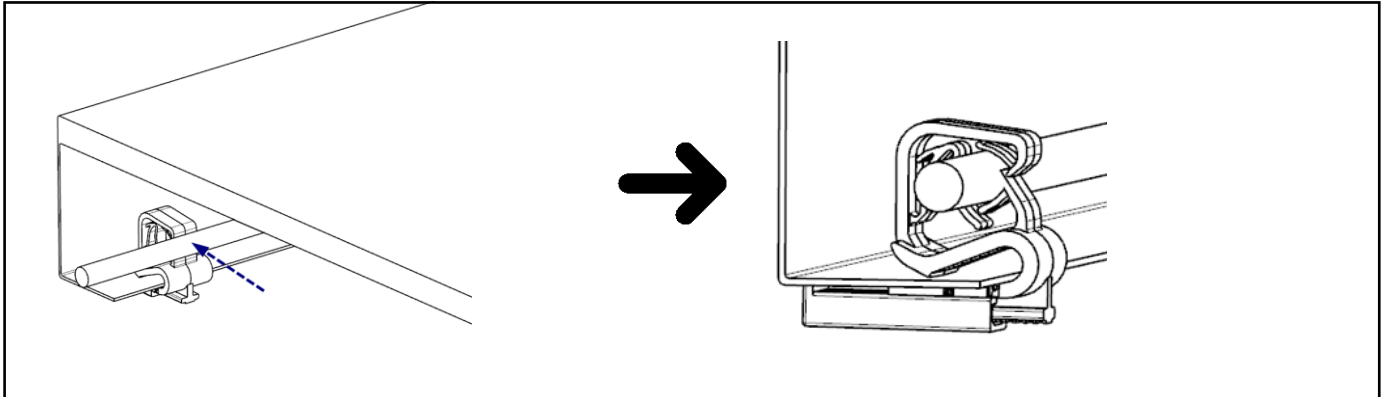
1.1 Press the edge clip toward the panel opening edge.



1.2 Insert the latch from the **back side** and secure the main clip to the panel

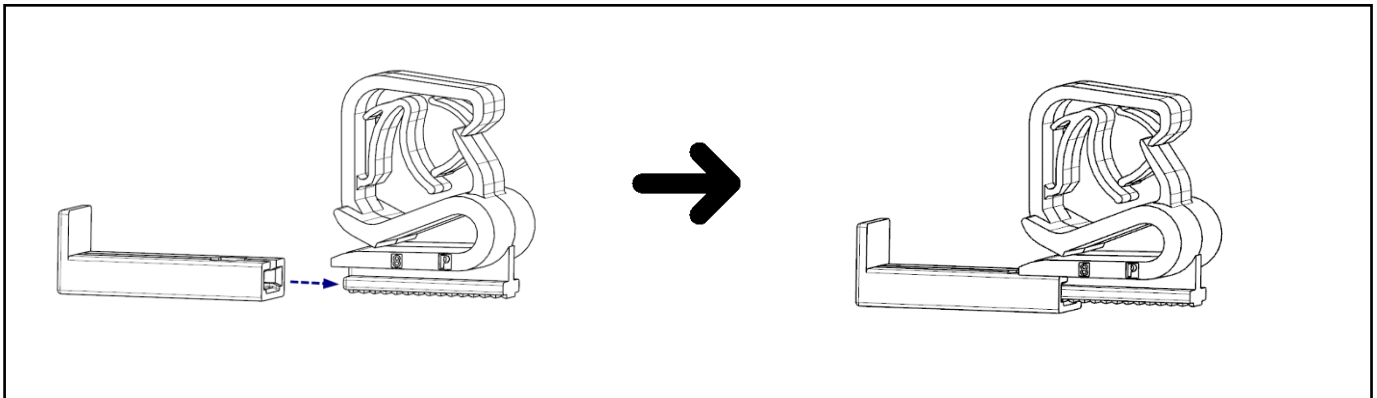


1.3 Press the cable in and it will be clamped.

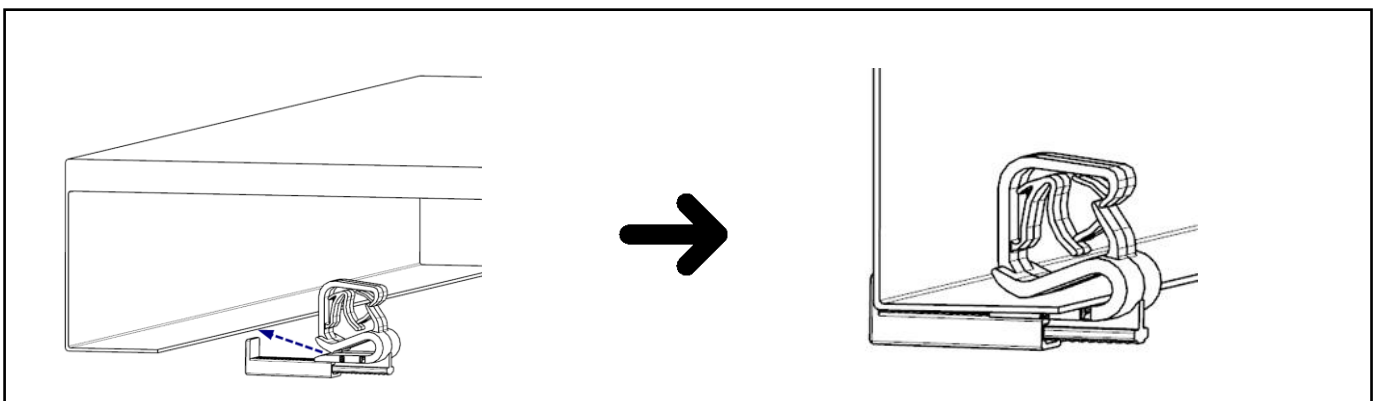


2. Installation Method II:

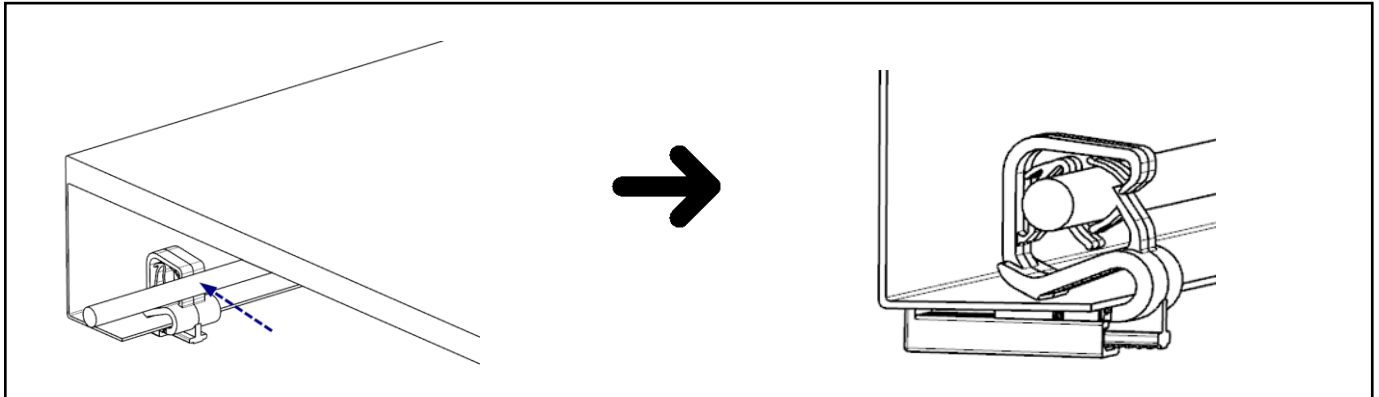
2.1 Pre-assemble the main clip and the latch only 1 or 2 teeth by hearing 1 or 2 “clicking” sound.



2.2 Press the pre-assembly toward the panel edge, and tighten the latch.

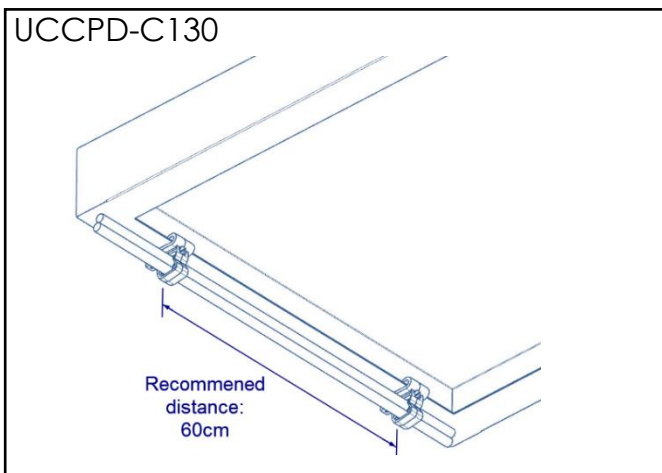


2.3 Press the cable in and it will be clamped.

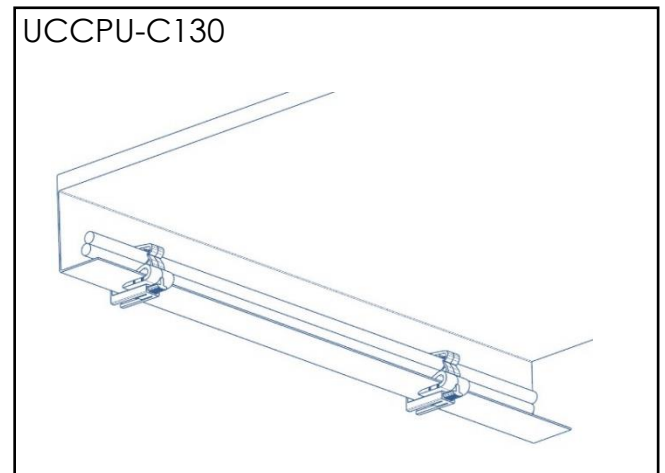


3. Work In Cabling System:

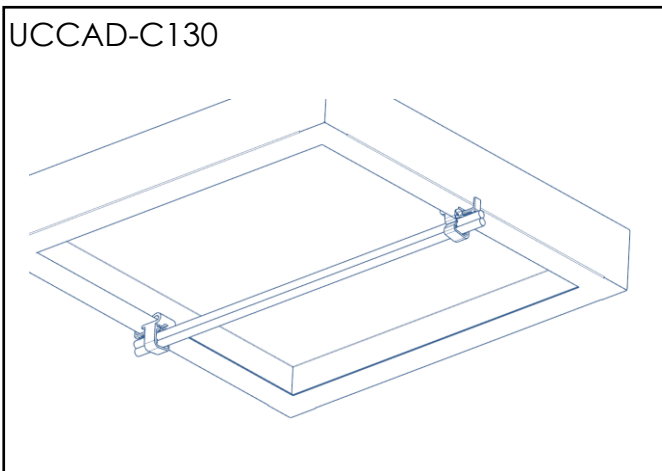
3.1 Cable fixed under the panel



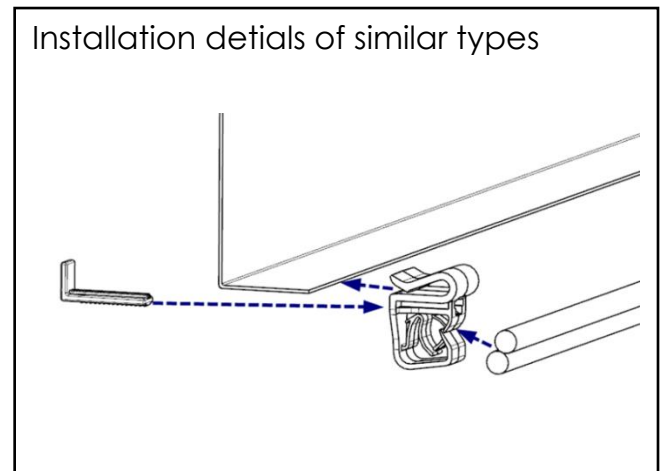
3.2 Cable fixed inside the panel



3.3 Cable crossing fixed under the panels



3.4 Similar installation method for other types



For Technical Support: www.panduit.com/resources/install_maintain.asp