

Solar Clip

Greatly improve the freedom of wiring design!



Greatly improve the installation efficiency of field wiring without tools;
No environmental pollution wastes; Neat and beautiful wiring

3 types of products which can put the cable on the inside and outside of the
solar panel frame in parallel or crosswise

100% resin material; Eliminates concern of corrosion of dissimilar metals
when using the clip and frame (no damage to the frame)

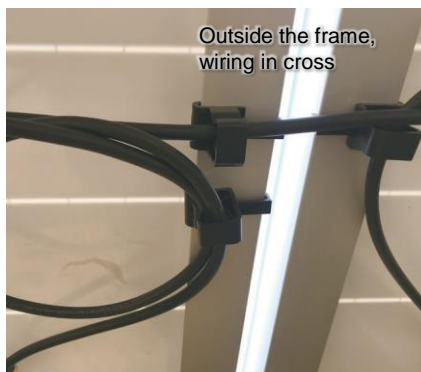
Use of polyoxymethylene resin material, with outdoor weather resistance
protection for more than 20 years

Adjustable lock pin (suitable for frames with different width of 20 ~ 35mm);
Firm and reliable

● Application Examples



Inside the frame,
wiring in parallel



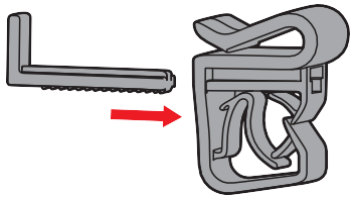
Outside the frame,
wiring in cross



Outside the frame,
wiring in parallel

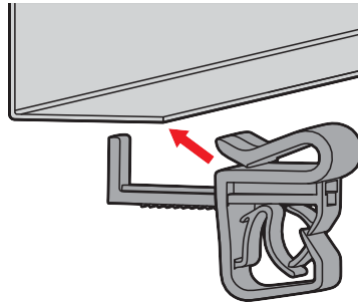
● Installation Method of Solar Clip

① Clip body assembly



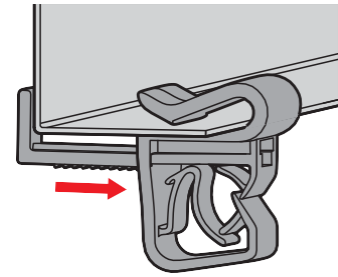
Insert the lock pin into the lock pin hole of the clip body as shown in the figure, until the sound of “clatter” is heard 1~2 times.

② Clip mounting to the frame



The clip assembly prepared in Figure 1 is clamped onto the solar panel frame.

③ Locking and fixing



Finally, press the lock pin completely into the lock pin hole to finish the installation.

● Product Specification of Solar Clip

Material: Weather Resistant polyoxymethylene

Applicable frame width: 20 ~ 35mm

Applicable frame thickness: 1 ~ 3mm

Applicable cable number: 1 ~ 2 pieces

Applicable outer diameter of cable : $\phi 6.0 \sim 7.5\text{mm}$
(applicable to 3.5, 5.5SQ *)

* Please confirm the outer diameter of cable



Product model	Product type	Color	Packing Q'ty (Piece)
UCCAD-C130	Use outside the frame, wiring in cross, with lock pin	Black	100
UCCPD-C130	Use outside the frame, wiring in parallel, with lock pin		
UCCPU-C130	Use inside the frame, wiring in parallel, with lock pin		
UCCDL-X130	Use outside the frame, spare lock pin	Black	10
UCCUL-X130	Use inside the frame, spare lock pin		

※When using, please conform whether it is suitable for the actual application and use environment, and then judge whether to use it after confirmed.

PANDUIT™

Panduit Singapore Pte Ltd
No. 60 Tuas Avenue 11
Singapore 639106